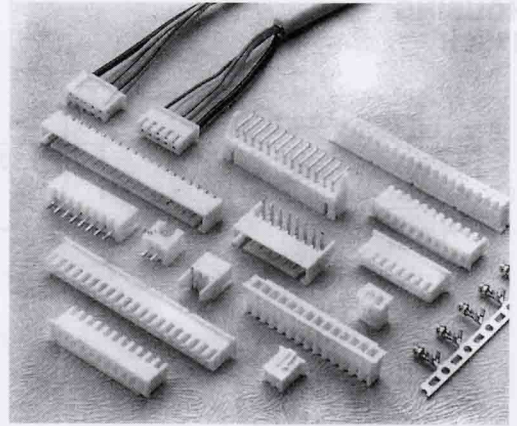


0.098" (2.50 mm) Pitch Disconnectable Connectors

2001 Series

SPECIFICATION

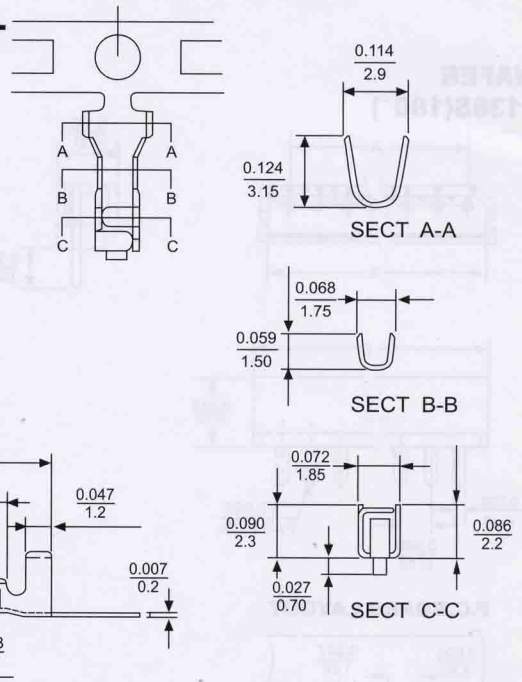
Voltage rating: AC,DC 250V
 Current rating: AC,DC, 3A
 Withstand voltage:1000V AC/min.
 Insulation resistance:1000M Ω /min.
 Temperature range:-20 $^{\circ}$ C~ +85 $^{\circ}$ C
 Applicable PC board thickness:0.063" (1.6mm)
 Contact resistance:Initial value/10m Ω max.
 After environmental testing/20m Ω max.



TERMINAL

Part No:2001T
 Applicable wires:AWG#22-30
 Material:Phos.Bronze(Brass)
 Finish:Tin/plated
 Hardness:H
 Thickness:0.2mm

TERMINAL 2001T



HOUSING

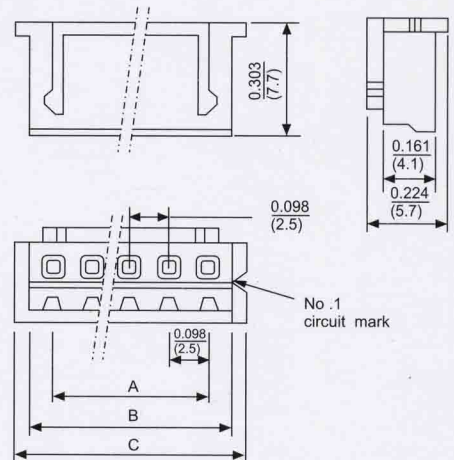
Part No:2001H
 Poles:2-20
 Material:Nylon 66 UL 94V-2

WAFER

Part No:2001S(180 $^{\circ}$),2001R(90 $^{\circ}$)
 Material:Post:Brass.Tin/plated
 Base: Nylon 66 UL 94V-2

Dimension: $\frac{\text{Inch}}{\text{mm}}$

HOUSING 2001H



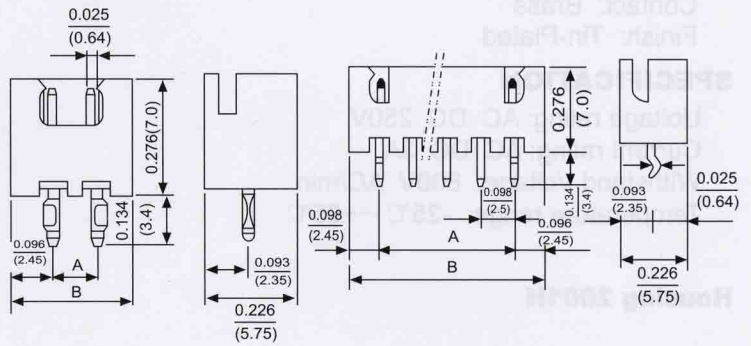
POLES	PART NO.	Dimension in.(mm)		
		A	B	C
2	2001H-2P	0.098(2.50)	0.224(5.7)	0.287(7.3)
3	2001H-3P	0.197(5.00)	0.323(8.2)	0.386(9.8)
4	2001H-4P	0.295(7.50)	0.421(10.7)	0.484(12.3)
5	2001H-5P	0.394(10.00)	0.520(13.2)	0.583(14.8)
6	2001H-6P	0.492(12.50)	0.618(15.7)	0.681(17.3)
7	2001H-7P	0.591(15.00)	0.717(18.2)	0.780(19.8)
8	2001H-8P	0.689(17.50)	0.815(20.7)	0.878(22.3)
9	2001H-9P	0.787(20.00)	0.913(23.2)	0.976(24.8)
10	2001H-10P	0.886(22.50)	1.102(25.7)	1.075(27.3)
11	2001H-11P	0.984(25.00)	1.110(28.2)	1.173(29.8)
12	2001H-12P	1.083(27.50)	1.209(30.7)	1.272(32.3)
13	2001H-13P	1.181(30.00)	1.307(33.2)	1.370(34.8)
14	2001H-14P	1.280(32.50)	1.406(35.7)	1.469(37.3)
15	2001H-15P	1.378(35.00)	1.504(38.2)	1.567(39.8)
20	2001H-20P	1.870(47.50)	1.996(50.7)	2.059(52.3)

0.098" (2.50mm) Pitch Disconnectable Connector

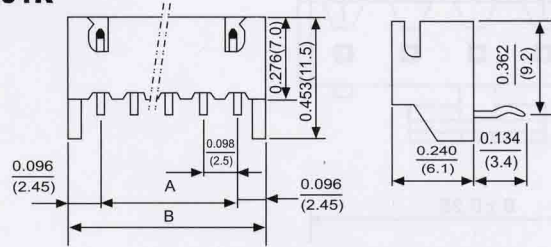
2001 Series

POLES	PART NO.		Dimension in.(mm)	
	TOP ENTRY TYPE	SIDE ENTRY TYPE	A	B
2	2001S-2P	2001R-2P	0.098(2.50)	0.295(7.50)
3	2001S-3P	2001R-3P	0.197(5.00)	0.394(10.00)
4	2001S-4P	2001R-4P	0.295(7.50)	0.492(12.50)
5	2001S-5P	2001R-5P	0.394(10.00)	0.591(15.00)
6	2001S-6P	2001R-6P	0.492(12.50)	0.689(17.50)
7	2001S-7P	2001R-7P	0.591(15.00)	0.787(20.00)
8	2001S-8P	2001R-8P	0.689(17.50)	0.886(22.50)
9	2001S-9P	2001R-9P	0.787(20.00)	0.984(25.00)
10	2001S-10P	2001R-10P	0.886(22.50)	1.083(27.50)
11	2001S-11P	2001R-11P	0.984(25.00)	1.181(30.00)
12	2001S-12P	2001R-12P	1.083(27.50)	1.280(32.50)
13	2001S-13P	2001R-13P	1.181(30.00)	1.378(35.00)
14	2001S-14P	2001R-14P	1.280(32.50)	1.476(37.50)
15	2001S-15P	2001R-15P	1.378(35.00)	1.575(40.00)
20	2001S-20P	2001R-20P	1.870(47.50)	2.066(52.50)

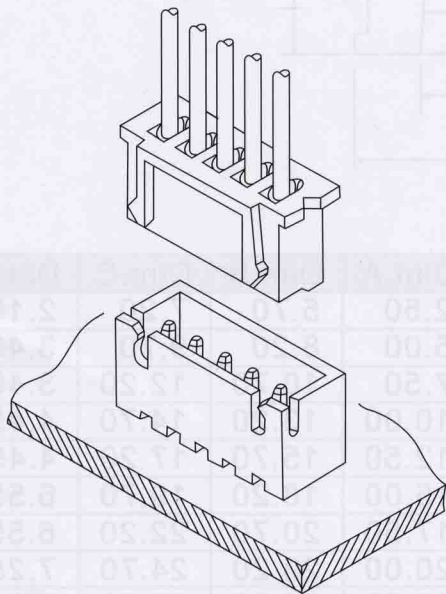
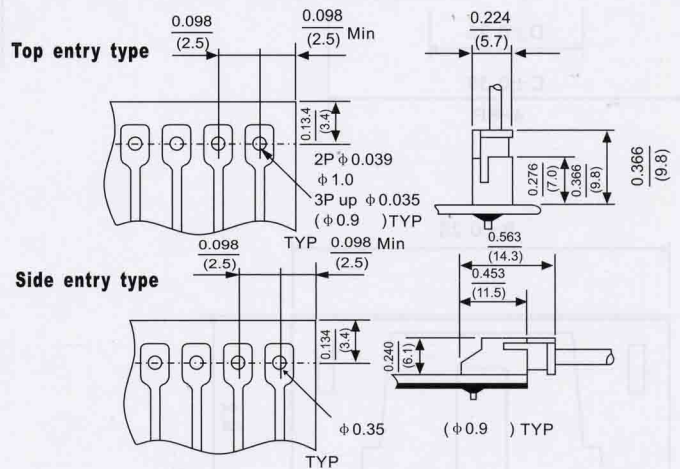
WAFER(180°) 2001S



WAFER(90°) 2001R



PRINTED CIRCUIT BOARD LAYOUT AND ASSEMBLY LAYOUT



0.098" (2.50mm) Pitch Center Crimp Connector

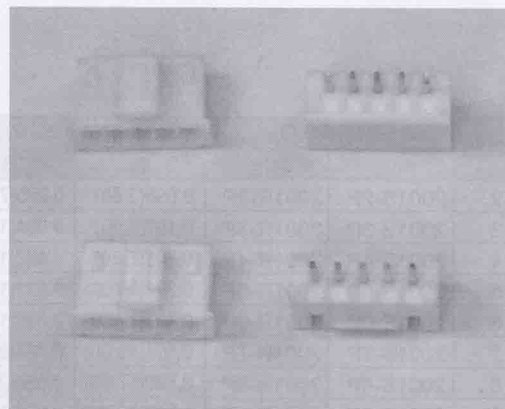
2001 Series

FEATURES

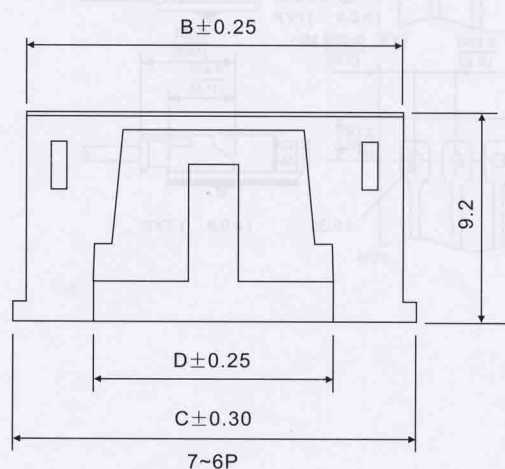
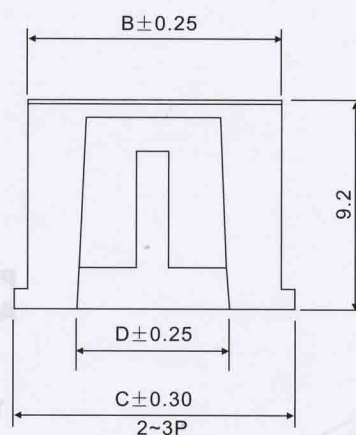
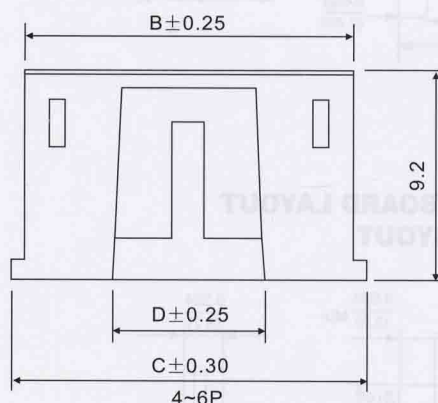
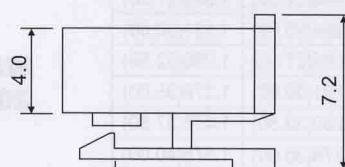
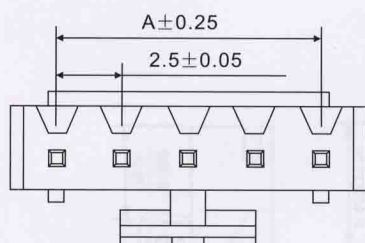
Insulator: Nyoln66 UL94V-0
 Contact: Brass
 Finish: Tin-Plated

SPECIFICATION

Voltage rating: AC DC 250V
 Current rating: AC DC 3A
 Withstand Voltage: 800V AC/min
 Temperature range: -25°C—+85°C



Housing 2001H

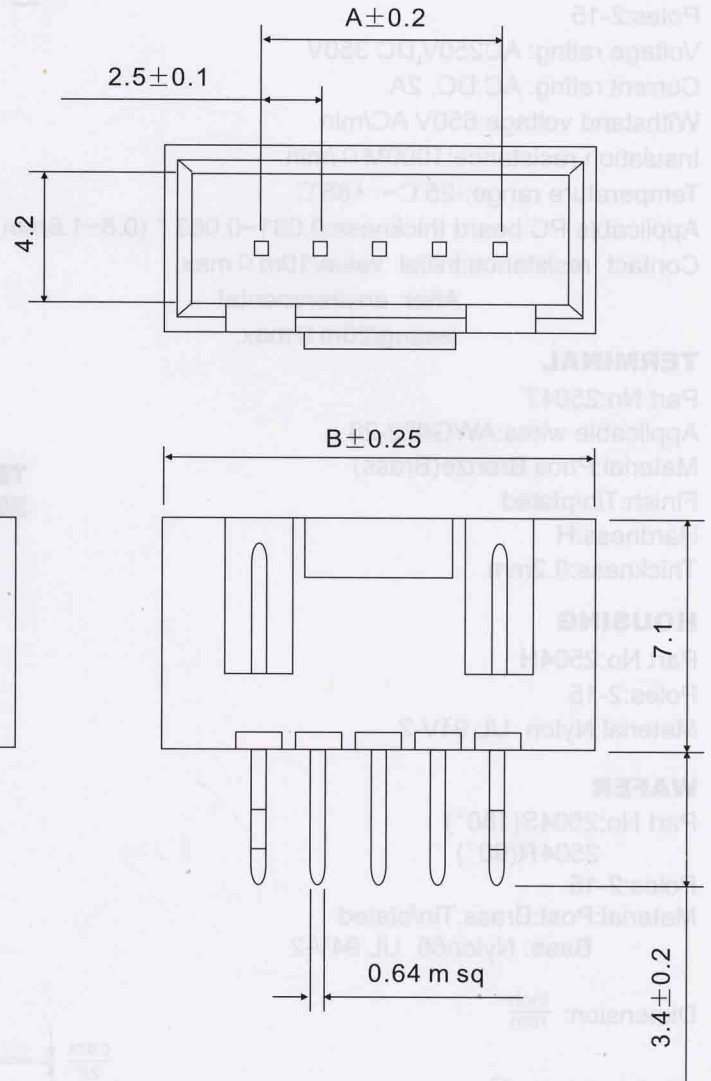


Circuits	Dim.A	Dim.B	Dim.C	Dim.D
2	2.50	5.70	7.20	2.10
3	5.00	8.20	9.70	3.40
4	7.50	10.70	12.20	3.40
5	10.00	13.20	14.70	4.45
6	12.50	15.70	17.20	4.45
7	15.00	18.20	19.70	6.55
8	17.50	20.70	22.20	6.55
9	20.00	23.20	24.70	7.25
10	22.50	25.70	27.20	7.25
11	25.00	28.20	29.70	16.35
12	27.50	30.70	32.20	16.35
13	30.00	33.20	34.70	16.35
14	32.50	35.70	37.20	19.75
15	35.00	38.20	39.70	19.75
16	37.50	40.70	42.20	19.75

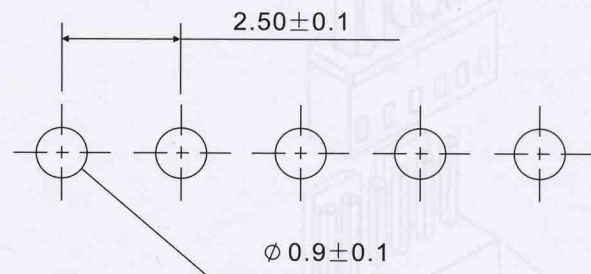
0.098" (2.50mm) Pitch Center Crimp Connector

2001 Series

WAFER 2001S(180°)



Circuits	Dim.A	Dim.B
2	2.50	7.50
3	5.00	10.0
4	7.50	10.70
5	10.00	12.50
6	12.50	15.00
7	15.00	17.50
8	17.50	20.00
9	20.00	22.50
10	22.50	25.00
11	25.00	27.50
12	27.50	30.00
13	30.00	32.50
14	32.50	35.00
15	35.00	37.50
16	37.50	40.00



P.C.B. LAYOUT