

# 0.156" (3.96 mm) Pitch Center Connector

401A Series

## SPECIFICATION

Poles: 2-20  
 Voltage rating: AC, DC 250V  
 Current rating: AC, DC, 7A  
 Withstand voltage: 1000V AC/min.  
 Insulation resistance: 1000M  $\Omega$ /min.  
 Temperature range: -25°C ~ +85°C  
 Applicable PC board thickness: 0.063" (1.6mm)  
 Contact resistance: Initial value/10m  $\Omega$  max.  
 After environmental testing/20m  $\Omega$  max.

## TERMINAL

Part No: 401AT  
 Applicable wires: AWG#22-30  
 Material: Brass  
 Finish: Tin/plated  
 Hardness: H  
 Thickness: 0.25mm

## HOUSING

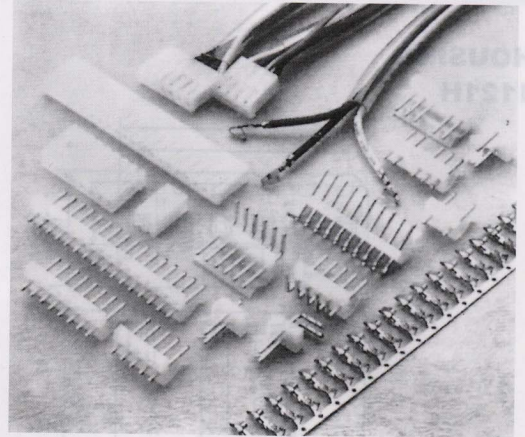
Part No: 401AH  
 Poles: 2-20  
 Material: Nylon 66, UL 94V-2

## WAFER

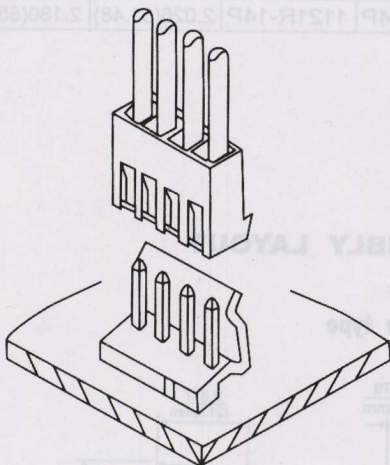
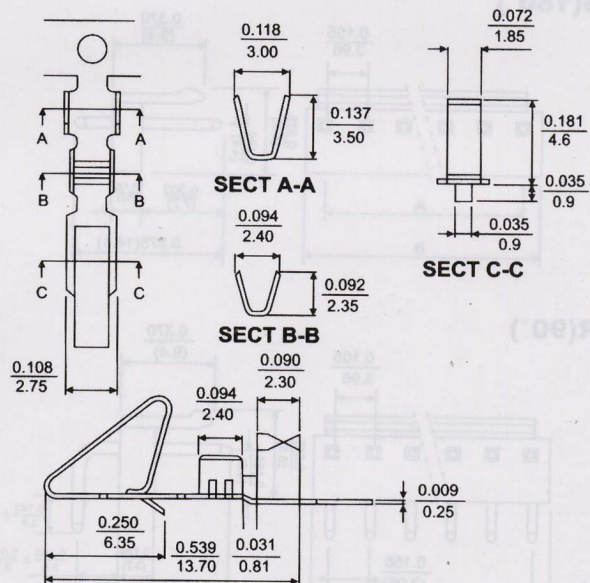
Part No: 401AS, 401APS (180°)  
 401AR, 401APR (90°)  
 Poles: 2-20  
 Material: Post: Brass, Tin/plated  
 Base: Nylon 66, UL 94V-2

Dimension: 

Inch
mm



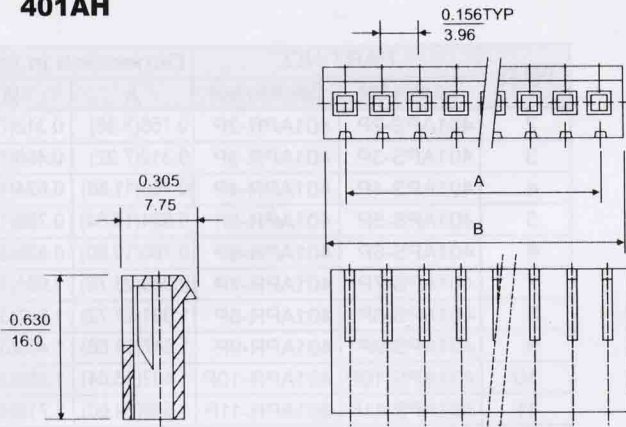
## TERMINAL 401AT



# 0.156" (3.96 mm) Pitch Center Connector

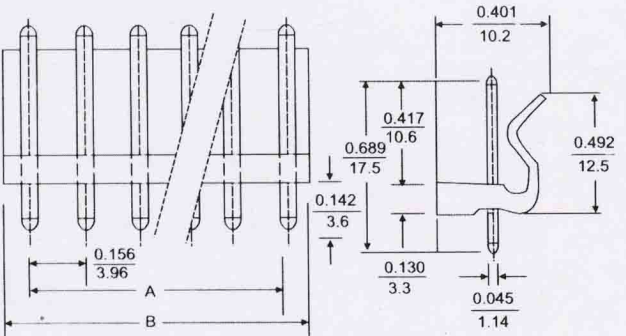
401A Series

## HOUSING 401AH

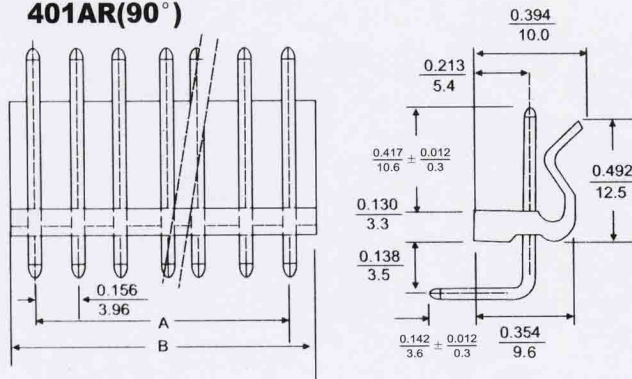


POLES	PART NO.	Dimension in.(mm)	
		A	B
2	401AH-2P	0.156(3.96)	0.343(8.72)
3	401AH-3P	0.312(7.92)	0.499(12.68)
4	401AH-4P	0.468(11.88)	0.655(16.64)
5	401AH-5P	0.624(15.84)	0.811(20.60)
6	401AH-6P	0.780(19.80)	0.967(24.56)
7	401AH-7P	0.935(23.76)	1.123(28.52)
8	401AH-8P	1.091(27.72)	1.279(32.48)
9	401AH-9P	1.247(31.68)	1.435(36.44)
10	401AH-10P	1.403(35.64)	1.590(40.40)
11	401AH-11P	1.559(39.60)	1.746(44.36)
12	401AH-12P	1.715(43.56)	1.902(48.32)
13	401AH-13P	1.871(47.52)	2.058(52.28)
14	401AH-14P	2.207(51.48)	2.214(56.24)
15	401AH-15P	2.183(55.44)	2.370(60.20)
16	401AH-16P	2.339(59.40)	2.526(64.16)
17	401AH-17P	2.494(63.36)	2.682(68.12)
18	401AH-18P	2.650(67.32)	2.866(72.08)
19	401AH-19P	2.806(71.28)	2.994(76.04)
20	401AH-20P	2.962(75.24)	3.150(80.00)

## WAFER 401AS(180°)



## WAFER 401AR(90°)



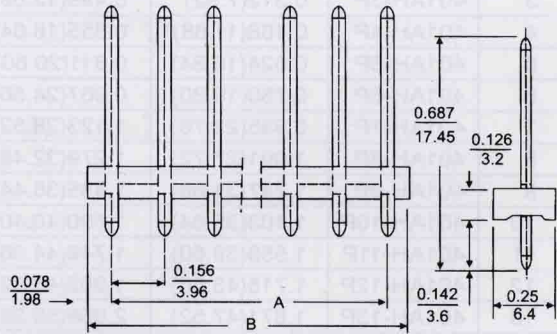
POLES	PART NO.		Dimension in.(mm)	
	Top entry type	Side entry type	A	B
2	401AS-2P	401AR-2P	0.156(3.96)	0.312(7.92)
3	401AS-3P	401AR-3P	0.312(7.92)	0.468(11.88)
4	401AS-4P	401AR-4P	0.468(11.88)	0.624(15.84)
5	401AS-5P	401AR-5P	0.624(15.84)	0.780(19.80)
6	401AS-6P	401AR-6P	0.780(19.80)	0.935(23.76)
7	401AS-7P	401AR-7P	0.935(23.76)	1.091(27.72)
8	401AS-8P	401AR-8P	1.091(27.72)	1.247(31.68)
9	401AS-9P	401AR-9P	1.247(31.68)	1.403(35.64)
10	401AS-10P	401AR-10P	1.403(35.64)	1.559(39.60)
11	401AS-11P	401AR-11P	1.559(39.60)	1.715(43.56)
12	401AS-12P	401AR-12P	1.715(43.56)	1.871(47.52)
13	401AS-13P	401AR-13P	1.871(47.52)	2.207(51.48)
14	401AS-14P	401AR-14P	2.207(51.48)	2.183(55.44)
15	401AS-15P	401AR-15P	2.183(55.44)	2.339(59.40)
16	401AS-16P	401AR-16P	2.339(59.40)	2.494(63.36)
17	401AS-17P	401AR-17P	2.494(63.36)	2.650(67.32)
18	401AS-18P	401AR-18P	2.650(67.32)	2.806(71.28)
19	401AS-19P	401AR-19P	2.806(71.28)	2.962(75.24)
20	401AS-20P	401AR-20P	2.962(75.24)	3.118(79.20)



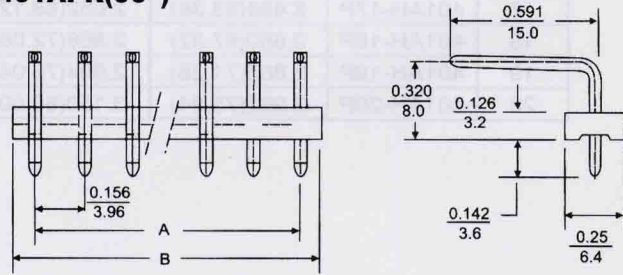
# 0.156" (3.96 mm) Pitch Center Connector

401A Series

## WAFER 401APS(180°)



## WAFER 401APR(90°)



POLES	PART NO.		Dimension in.(mm)	
	Top entry type	Side entry type	A	B
2	401APS-2P	401APR-2P	0.156(3.96)	0.312(7.92)
3	401APS-3P	401APR-3P	0.312(7.92)	0.468(11.88)
4	401APS-4P	401APR-4P	0.468(11.88)	0.624(15.84)
5	401APS-5P	401APR-5P	0.624(15.84)	0.780(19.80)
6	401APS-6P	401APR-6P	0.780(19.80)	0.935(23.76)
7	401APS-7P	401APR-7P	0.935(23.76)	1.091(27.72)
8	401APS-8P	401APR-8P	1.091(27.72)	1.247(31.68)
9	401APS-9P	401APR-9P	1.247(31.68)	1.403(35.64)
10	401APS-10P	401APR-10P	1.403(35.64)	1.559(39.60)
11	401APS-11P	401APR-11P	1.559(39.60)	1.715(43.56)
12	401APS-12P	401APR-12P	1.715(43.56)	1.871(47.52)
13	401APS-13P	401APR-13P	1.871(47.52)	2.207(51.48)
14	401APS-14P	401APR-14P	2.207(51.48)	2.183(55.44)
15	401APS-15P	401APR-15P	2.183(55.44)	2.339(59.40)
16	401APS-16P	401APR-16P	2.339(59.40)	2.494(63.36)
17	401APS-17P	401APR-17P	2.494(63.36)	2.650(67.32)
18	401APS-18P	401APR-18P	2.650(67.32)	2.806(71.28)
19	401APS-19P	401APR-19P	2.806(71.28)	2.962(75.24)
20	401APS-20P	401APR-20P	2.962(75.24)	3.118(79.20)

### P.C.B LAYOUT

