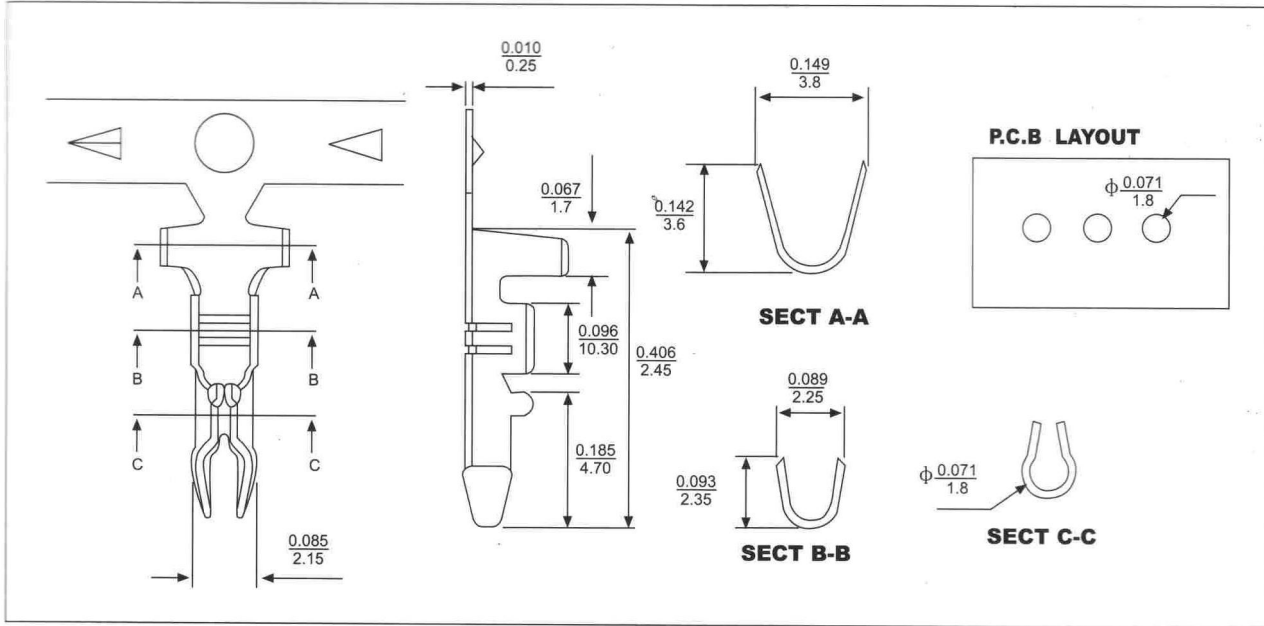


7618 P.C Pin Terminal

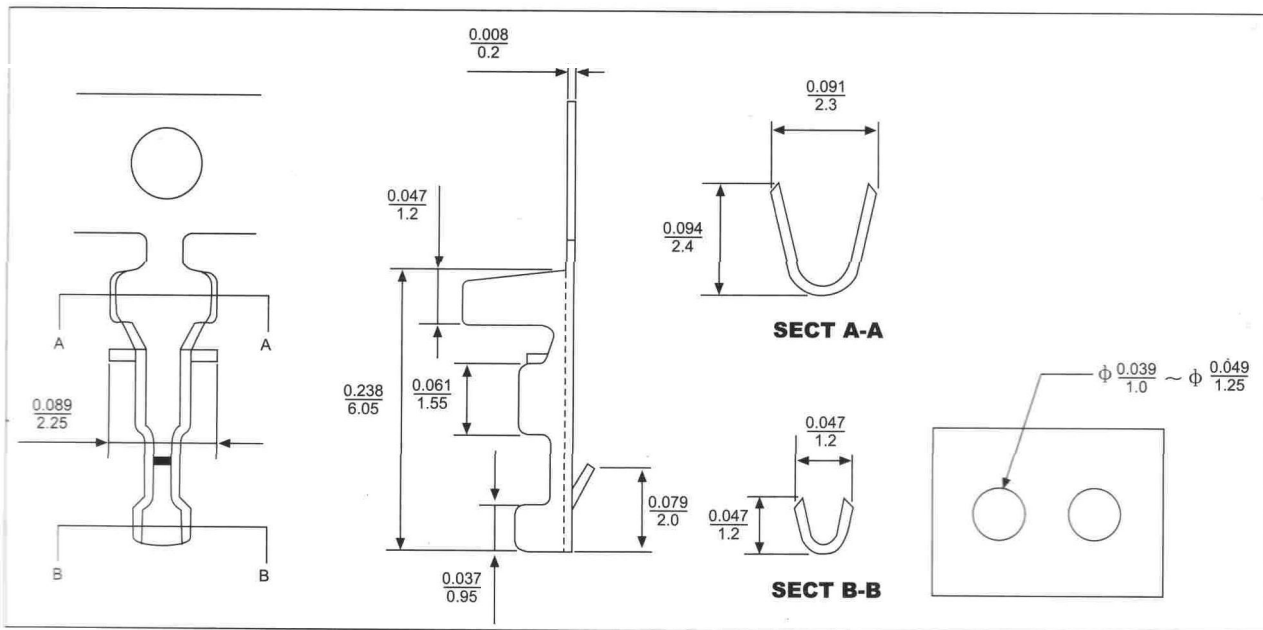


ORDER INFORMATION:

Dimension:inch/mm

| Part No. | Material | Thickness | Finish | Wire Range | Q,ty/roll |
|----------|-----------------------|-----------|--------|------------|-----------|
| 7618T | Brass/phosphor.Bronze | 0.25mm | Tin | AWG22-16 | 6.000PC |

7619 P.C Board in Crimp Terminal



ORDER INFORMATION:

Dimension:inch/mm

| Part No. | Material | Thickness | Finish | Wire Range | Q,ty/roll |
|----------|-----------------------|-----------|--------|------------|-----------|
| 7619T | Brass/phosphor.Bronze | 0.2mm | Tin | AWG18-22 | 12.000PC |