

**NOTES:**

**\* Material**

Body : Nylon 46 UL 94V-0 Rated. Color : White.  
 Contact : Brass.  
 Contact Plating : Gold Plating Over Nickel on Contact  
 Area Tin Plating on Sloder Tail.

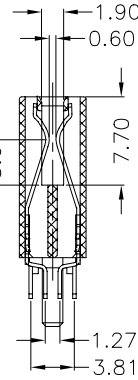
**\* Mechanical**

Contact Normal Force : 75 Grams min.  
 Insertion Force : 228 Grams max. per mated pair.  
 Withdrawal Force : 28 Grams min. per mated pair.  
 Contact Retention : 1 lb. min.  
 Mating Durability : 100 cycles.

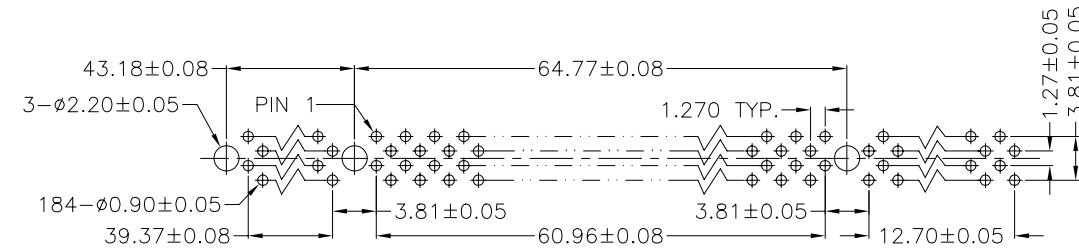
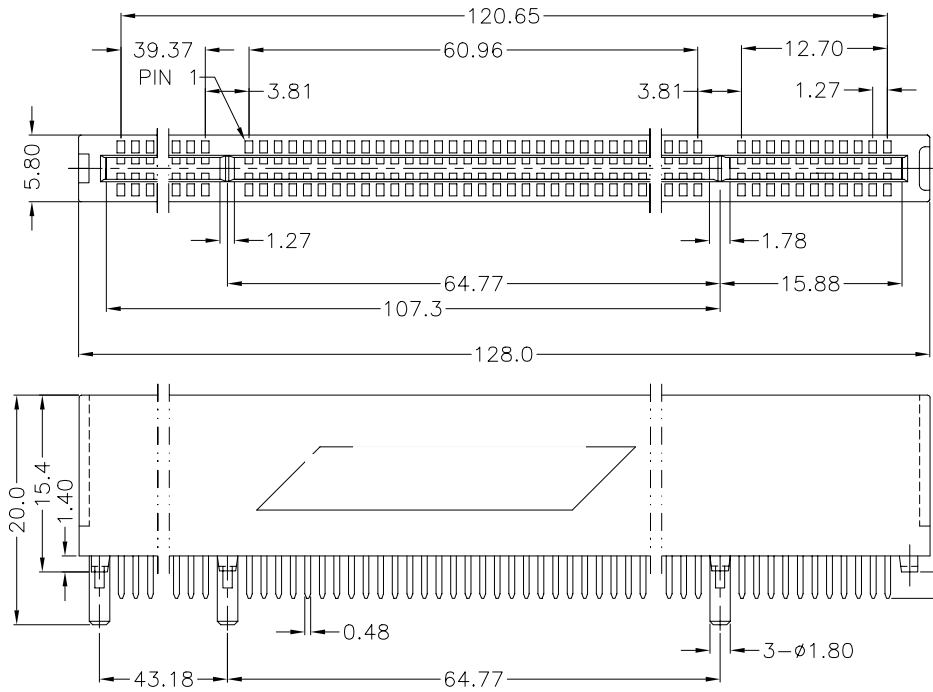
**\* Electrical Specification**

Operation Voltage : 125V AC max  
 Current Rating : 1 Ampere per contact  
 Contact Resistance : 30 Milliohms max. initial , 10 Milliohms  
 max. Increase Through Testing.  
 Insulation Resistance 1000 Megohms min.  
 Dielectric Withstanding Voltage : 500V AC  
 Capacitance : 2 pF max.  
 Operating Temperature : -55°C To +125°C.

**W2MM-184A3A2N43B3UW**

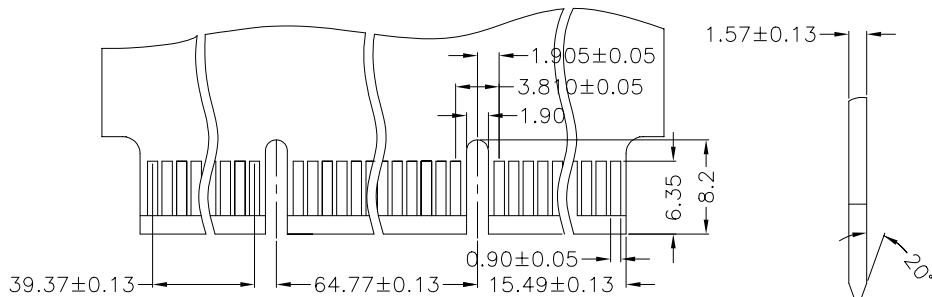


**SECTION**



**P.C.B LAYOUT**

- Strip Form Pin
- Number of Contacts
- Gold A:Flash B:5u" C:10u" D:15u" F:30u"
- A:3.3
- 2:Plastic Post
- W:Winning Mark
- U:Lead Free Blank:Sn Pb
- Blank:No Mark
- 3:Pin 2.3mm (Post 4.6mm)
- B:Brass
- P:Phosphor Bronze
- 3:White
- N4:Nylon46 N:Nylon66



**DAUGHTER CARD REQUIREMENTS**

REV	Units	mm	Scale	Drawing By	Data			
	Tolerance Unless Otherwise Specified			Reviewed By	Data	Date	1 of 1	Title
	.X	~	±0.38	Approval By	Data	Third Angle Projection	Drawing No.	SLIM PCI 184Pin(3.3V)
	.XX	~	±0.25					Pin 2.3mm Post 4.6mm
	.XXX	~	±0.20					
	Angle	~	± 3°					REV

**NOTES:**

**\* Material**

Body : Nylon46 UL 94V-0 Rated. Color : White.  
 Contact : Brass.  
 Contact Plating : Gold Plating Over Nickel on Contact  
 Area Tin Plating on Solder Tail.

**\* Mechanical**

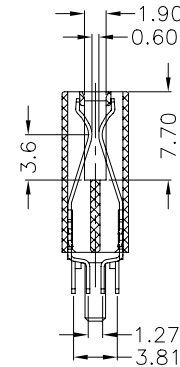
Contact Normal Force : 75 Grams min.  
 Insertion Force : 228 Grams max. per mated pair.  
 Withdrawal Force : 28 Grams min. per mated pair.  
 Contact Retention : 1 lb. min.  
 Mating Durability : 100 cycles.

**\* Electrical Specification**

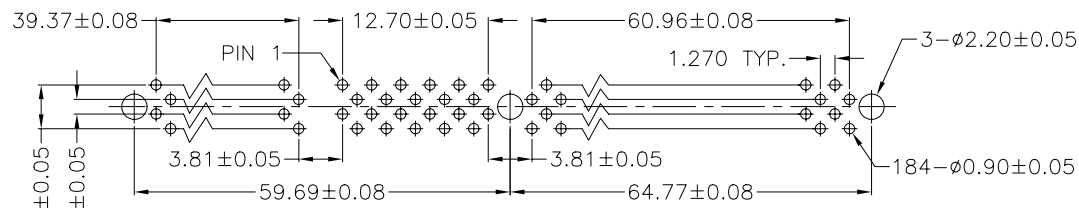
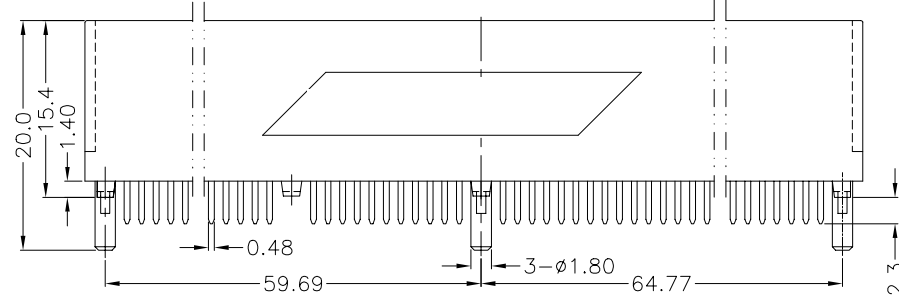
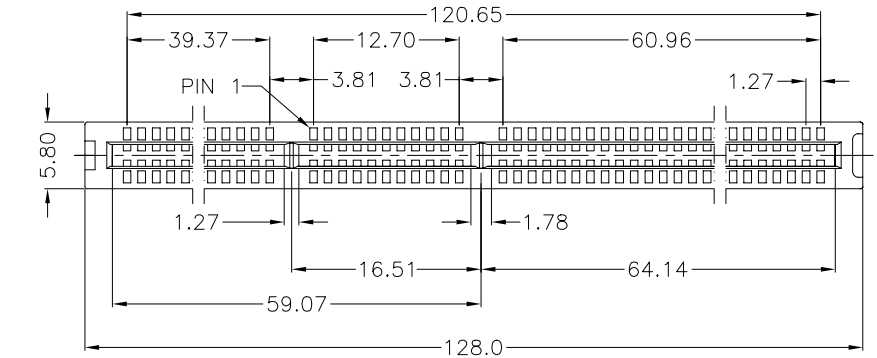
Operation Voltage : 125V AC max.  
 Current Rating : 1 Ampere per Contact.  
 Contact Resistance : 30 Milliohms max. initial , 10 Milliohms  
 max. Increase Through Testing.  
 Insulation Resistance 1000 Megohms min.  
 Dielectric Withstanding Voltage : 500V AC.  
 Capacitance : 2 pF max.  
 Operating Temperature : -55°C To +125°C.

**W2MM-184A3B2N43B3UW**

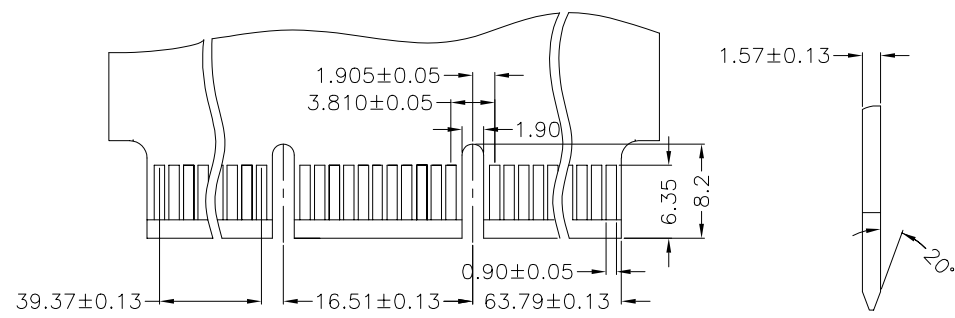
Strip Form Pin \_\_\_\_\_ W:Winning Mark  
 Number of Contacts \_\_\_\_\_ Blank:No Mark  
 Gold A:Flash B:5u" C:10u" D:15u" F:30u" \_\_\_\_\_ U:Lead Free Blank:Sn Pb  
 3:Triple Card Slot \_\_\_\_\_ 3:Pin 2.3mm (Post 4.6mm)  
 B:5V \_\_\_\_\_ B:Brass  
 2:Plastic Post \_\_\_\_\_ P:Phosphor Bronze  
 \_\_\_\_\_ 3:White  
 \_\_\_\_\_ N4:Nylon46



**SECTION**



**P.C.B LAYOUT**



**DAUGHTER CARD REQUIREMENTS**

REV			Drawing By		Data			
Units	mm	Scale	Reviewed By		Data		Date	Title SLIM PCI 184Pin(5V) Pin 2.3mm Post 4.6mm
Tolerance Unless Otherwise Specified			Approval By		Data		Sheet 1 of 1	
.X	~	±0.38					Third Angle Projection	
.XX	~	±0.25					Drawing No.	
.XXX	~	±0.20					REV	
Angle	~	± 3°						